

Technical Bulletin

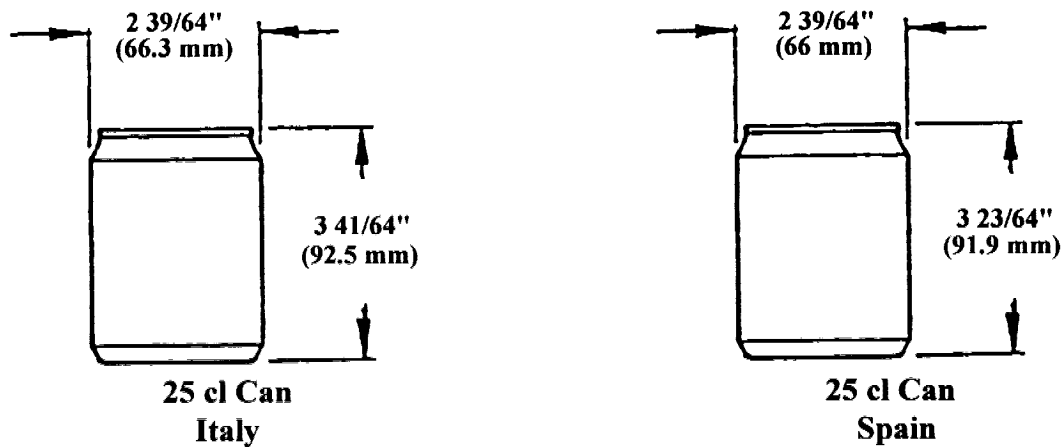
Bulletin Number: 411 Revision Number: R-07

Release Date: March 6, 1991 Revision Date: August 29, 1996

SUBJECT: 25 CL (250 ML) CAN SHIMMING AND SET-UP.

MODELS AFFECTED: Models 180, 276, 300, 360 and 368 shimless stack venders, serialized 0001-3162AO and higher. (See page 6 for shim kit part numbers.)

REASON: To provide the shimming and set-up for vending the 25 cl (250 ml) can.



BULLETIN INDEX

- A) Shimming and Set-Up Chart..... Page 2
- B) Individual Column Set-up and Shimming..... Pages 3, 4, & 5
- C) Shimming Kit Part Numbers for 25 cl Can from Italy..... Page 6
- D) Drawings and Illustrations Pages 7 & 8

Use This Chart To "Set-Up" and "Shim" the "Shimless Stack" Vender.
 Series 90, Beginning S/N 0001-3162AO & Up (Except Run Numbers 3164AO, 3166AO and 3167AO).

CANS

Wide Columns							All Columns		Narrow Columns				
25 cl Can in Model 360	Italy & Spain	1, 3, 6, 7, & 8	3	1 left & 1 right can shim, 1 oscillator	6 notches	green	Hole 21	NA	NA	NA	NA	NA	0
25 cl Can in Models 300 & 180	Italy & Spain Columns 1 & 5	1, 3, 6, 7, & 8	2	1 left & 1 right can divider	4 notches	blue/gold	Hole 23	NA	NA	NA	NA	NA	0
	Italy & Spain Columns 2, 3, & 4	1, 3, 6, 7, & 8	3	1 left & 1 right can shim, 1 oscillator	6 notches	green	Hole 21	NA	NA	NA	NA	NA	0
25 cl Can in Model 276	Italy & Spain Columns 1 & 3	1, 3, 6, 7, & 8	2	1 left & 1 right can divider	4 notches	blue/gold	Hole 23	-	-	-	-	-	0
	Italy & Spain Columns 2, 4, 5, & 6	1, 3, 4, 6, 7, & 8	3	1 left & 1 right can shim, 1 oscillator	6 notches	blue/gold	Hole 21	3	w/a can shim right, bend can retainer	-	-	#1	0
25 cl Can in Models 368 & 440	Italy & Spain Columns 1 & 4	1, 4, 6, 7, & 8	2	1 left & 1 right can divider	4 notches	blue/gold	Hole 23	-	-	-	-	-	-
	Italy & Spain Columns 2, 3, 5, 6, 7, & 8	1, 4, 5, 6, 7, & 8	3	1 left & 1 right can shim, 1 oscillator	6 notches	blue/gold	Hole 21	3	w/a can shim right, bend can retainer	-	-	#1	0

NA = Not Applicable

INDIVIDUAL COLUMN SET-UP AND SHIMMING

25 cl Can (Spain) (In model 360)

25 cl Can (Italy) (In model 360)

Wide Column Set-Up 3 deep

1 - 495,010,000.23	25 cl can shim, left
1 - 495,010,100.23	25 cl can shim, right
1 - 801,201,260.01	oscillator, long
1 - 801,806,410.01	vend cam, green

Bend can retainers at 45° angle on 25 cl can shim. (See page 7.)

Install green vending cam. Gold Adjustable Cam is not used.

Cam setting not applicable.

Install long oscillator. Remove can retainers (triangles) if installed.

Rear spacer set in hole #21.

25 cl Can (Spain) (In models 300 & 180)

25 cl Can (Italy) (In models 300 & 180)

Wide Columns 1 and 5 Set-Up 2 deep

1 - 275,011,100.13	180 can divider, left
1 - 275,011,200.13	180 can divider, right
1 - 448,010,100.04	300 can divider, left & right
1 - 801,806,390.41	vend cam, blue
1 - 801,806,400.11	adjustable cam, gold

Cam setting #2 or 4 notches.

Rear spacer set in hole #23.

Remove can retainers (triangles) from oscillator.

Wide Columns 2, 3, and 4 Set-Up 3 deep

1 - 495,010,000.23	25 cl can shim, left
1 - 495,010,100.23	25 cl can shim, right
1 - 801,201,260.01	oscillator, long
1 - 801,806,410.01	vend cam, green

Bend can retainers at 45° angle on 25 cl can shim. (See page 7.)

Install green vending cam. Gold Adjustable Cam is not used.

Cam setting not applicable.

Install long oscillator. Remove can retainers (triangles) if installed.

Rear spacer set in hole #21.

25 cl Can (Spain) (In model 276)

25 cl Can (Italy) (In model 276)

Wide Columns 1 and 3 Set-Up 2 deep

1 - 448,010,100.04	276 can divider, left and right
1 - 801,806,390.41	vend cam, blue
1 - 801,806,400.11	adjustable cam, gold

Cam setting #2 or 4 notches.

Rear spacer set in hole #23.

Remove can retainers (triangles) from oscillator.

Wide Column 2 Set-Up 3 deep

1 - 495,010,000.23	25 cl can shim, left
1 - 495,010,100.23	25 cl can shim, right
1 - 801,201,260.01	oscillator, long
1 - 801,806,410.01	vend cam, green

Bend can retainer at 45° angle on 25 cl can shim. (See page 7.)

Install green vending cam. Gold Adjustable Cam is not used.

Cam setting not applicable.

Install long oscillator. Remove can retainers (triangles) if installed.

Rear spacer set in hole #21.

25 cl Can (Spain) (In model 276)**25 cl Can (Italy) (In model 276)**

Narrow Column Set-Up 3 deep

1 - 493,070,400.03 25 cl w/a can shim, right

Bend can retainers at 45° degree angle on 25 cl can shim. (See page 7.)

Bend front can retainer in the rotor down 180°, ½ inch (12.7 mm) from its end. (See page 7.)

Cam setting #1 or 3 notches.

Rear spacer set in hole #21.

25 cl Can (Spain) (In model 368)**25 cl Can (Italy) (In model 368)**

Wide Columns 1 and 4 Set-Up 2 deep

1 - 448,010,100.04 368 can divider, left & right

1 - 801,806,390.41 vend cam, blue

1 - 801,806,400.11 adjustable cam, gold

Cam setting #2 or 4 notches.

Rear spacer set in hole #23.

Remove can retainers (triangles) from oscillator.

Wide Columns 2 and 3 Set-Up 3 deep

1 - 495,010,000.23 25 cl can shim, left

1 - 495,010,100.23 25 cl can shim, right

1 - 801,201,260.01 oscillator, long

1 - 801,806,410.01 vend cam, green

Bend can retainer at 45° angle on 25 cl can shim. (See page 7.)

Install green vending cam. Gold Adjustable Cam is not used.

Cam setting not applicable.

Install long oscillator. Remove can retainers (triangles) if installed.

Rear spacer set in hole #21.

Remove can retainers (triangles) from oscillator.

Narrow Column Set-Up 3 deep

1 - 493,070,400.03 25 cl w/a can shim, right

Bend can retainer at 45° angle on 25 cl can shim. (See page 7.)

Bend front can retainer in the rotor down 180°, ½ inch (12.7mm) from its end. (See page 7.)

Cam setting #1 or 3 notches.

Rear spacer set in hole #21.

25 cl Can (Italy) (In model 440)

Wide Columns 1 & 4 Set-Up 2 deep

1 - 432,017,000.03 440 can divider, left

1 - 432,017,100.03 440 can divider, right

1 - 801,806,390.41 vend cam, blue

1 - 801,806,400.11 adjustable cam, gold

Cam setting #2 or 4 notches.

Rear spacer set in hole #23.

Remove can retainer (triangles) from oscillator.

Wide Columns 2 & 3 Set-Up 3 deep

1 - 495,010,000.23 25 cl can shim, left

1 - 495,010,100.23 25 cl can shim, right

1 - 801,201,260.01 oscillator, long

1 - 801,806,410.01 vend cam, green

Bend can retainer at 45° angle on 25 cl can shim. (See page 7.)

Install green vending cam. Gold Adjustable Cam is not used.

Cam setting not applicable.

Install long oscillator. Remove can retainers (triangles) if installed.

Rear spacer set in hole #21.

25 cl Can (Italy) (In model 440)

Continued

Narrow Column Set-Up 3 deep

1 - 493,070,400.03 25 cl w/a can shim, right

Bend can retainer at 45° angle on 25 cl can shim. (See page 7.)

Bend front can retainer in the rotor down 180°, ½ inch (12.7mm) from its end. (See page 7.)

Cam setting #1 or 3 notches.

Rear spacer set in hole #21.

25 cl Triple Depth Conversion Parts

ITEM	PART DESCRIPTION	PART NUMBER	QUANTITY NEEDED PER VENDER					
			180	300	360	276	368	440
1	Can Divider - Right	275,011,200.13	2	0	0	0	0	0
2	Can Divider - Left	275,011,100.13	2	0	0	0	0	0
3	W/A 25 cl Can Shim - Right	495,010,100.23	3	3	6	1	2	2
4	W/A 25 cl Can Shim - Left	495,010,000.23	3	3	6	1	2	2
5	Oscillator - Standard	801,201,010.21	2	2	0	2	2	2
6	Oscillator - Modified Long	801,201,260.01	3	3	6	1	2	2
7	Can Divider - Right & Left	B/M 448,010,100.04	0	2 sets	0	2 sets	2 sets	0
8	Cam - Double Depth, Blue	801,806,390.41	2	2	0	2	2	2
9	Cam - Triple Depth, Green	801,806,410.41	3	3	6	1	2	2
10	W/A 25 cl Can Shim, Narrow Column	493,070,400.03	0	0	0	3	4	4
11	Can Divider, Right	432,017,100.03	0	0	0	0	0	2
12	Can Divider, Left	432,017,000.03	0	0	0	0	0	2
13	Cam - Adjustable, Gold	801,806,400.11	2	2	0	2	2	2

Model 276, 368, & 440 Shim Kits are not available. Order part quantities as indicated above.

MODEL 180 SHIM KIT (495,010,200.04)

PARTS USAGE CHART

(See pages 7 & 8, Figure 5)

Column	ITEM NUMBERS									
	1	2	3	4	5	6	7	8	9	10
1	X	X	0	0	X	0	0	X	0	0
2	0	0	X	X	0	X	0	0	X	0
3	0	0	X	X	0	X	0	0	X	0
4	0	0	X	X	0	X	0	0	X	0
5	X	X	0	0	X	0	0	X	0	0

Rear Spacer Location Hole - See Set-Up (page 2)

MODEL 300 SHIM PARTS NEEDED

PARTS USAGE CHART

(See pages 7 & 8, Figure 5)

Column	ITEM NUMBERS									
	1	2	3	4	5	6	7	8	9	10
1	0	0	0	0	X	0	X	X	0	0
2	0	0	X	X	0	X	0	0	X	0
3	0	0	X	X	0	X	0	0	X	0
4	0	0	X	X	0	X	0	0	X	0
5	0	0	0	0	X	0	X	X	0	0

Rear Spacer Location - See Set-Up (page 2)

MODEL 360 SHIM KIT (477,010,100.04)

PARTS USAGE CHART

(See pages 7 & 8, Figure 6)

Column	ITEM NUMBERS									
	1	2	3	4	5	6	7	8	9	10
1	0	0	X	X	0	X	0	0	X	0
2	0	0	X	X	0	X	0	0	X	0
3	0	0	X	X	0	X	0	0	X	0
4	0	0	X	X	0	X	0	0	X	0
5	0	0	X	X	0	X	0	0	X	0
6	0	0	X	X	0	X	0	0	X	0

Rear Spacer Location Hole - See Set-Up (page 2)

CAN CAPACITY

Model	25 cl CAN CAPACITY			
	Wide 2 deep	Wide 3 deep	Narrow 3 deep	Total
DNCB 180	38	54	0	238
DNCB 276	60	90	48	354
DNCB 300	60	90	0	390
DNCB 360	-	90	0	540
DNCB 368	60	90	48	492
DNCB 440	70	105	57	578

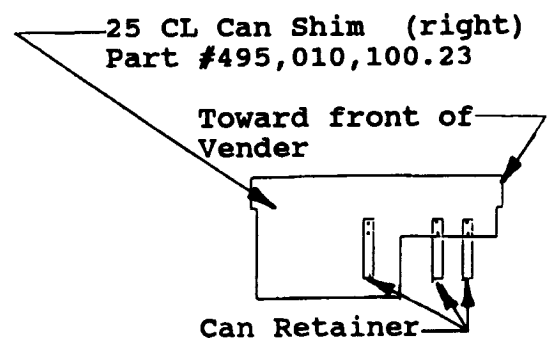
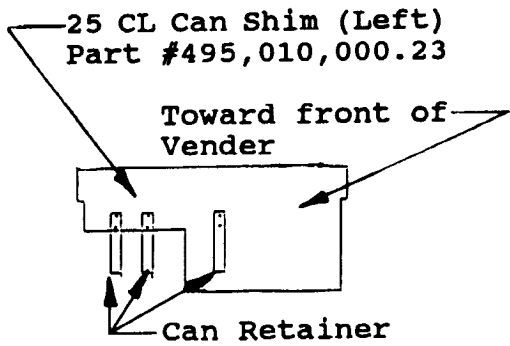


Figure 1

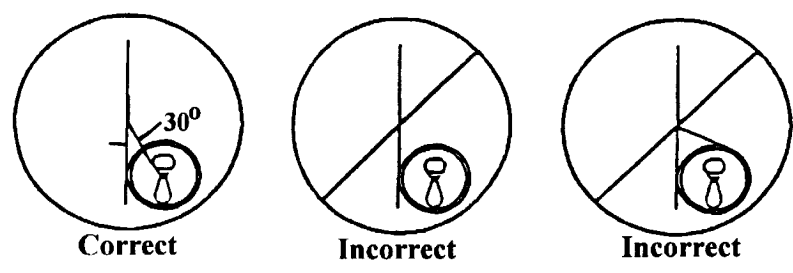


Figure 2

To bend the can retainer:

- A.) Locate the can retainer in the bottom of the rotor.
- B.) Measure 1/2" (12.7 mm) from the end of the retainer and mark. (See figure 3.)
- C.) Reverse bend the can retainer at the mark. (See figure 4.)
- D.) With a pair of pliers, ensure the bend is pinched together tightly.

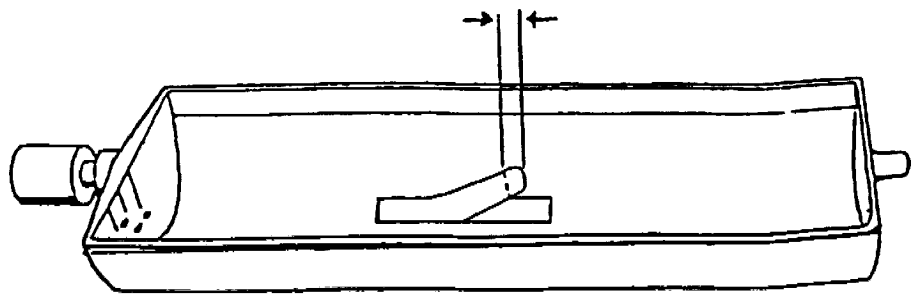


Figure 3

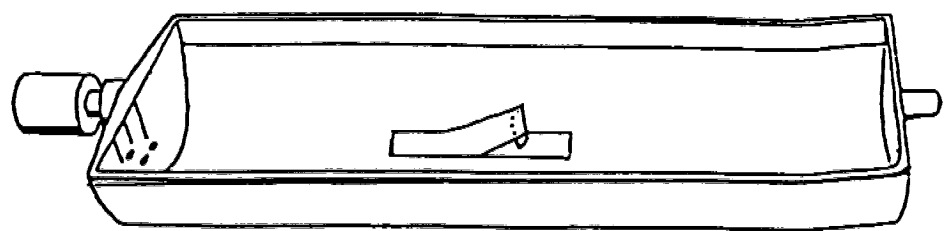


Figure 4

DNCB 180 & DNCB 300

(Back of Stack)

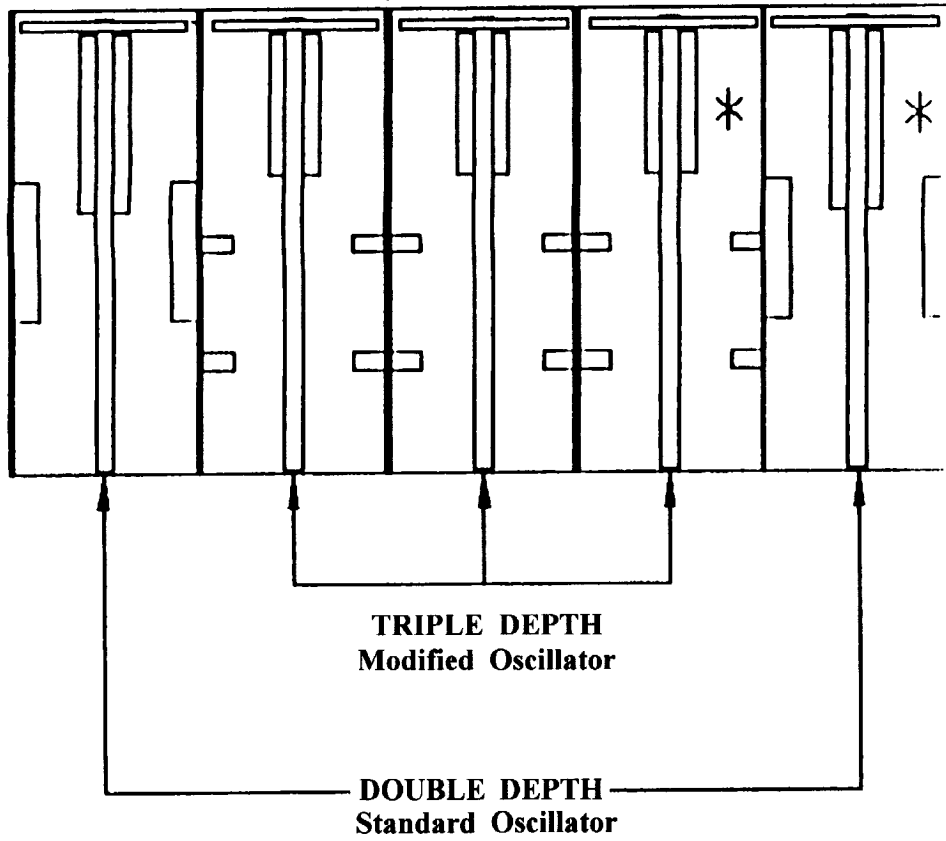
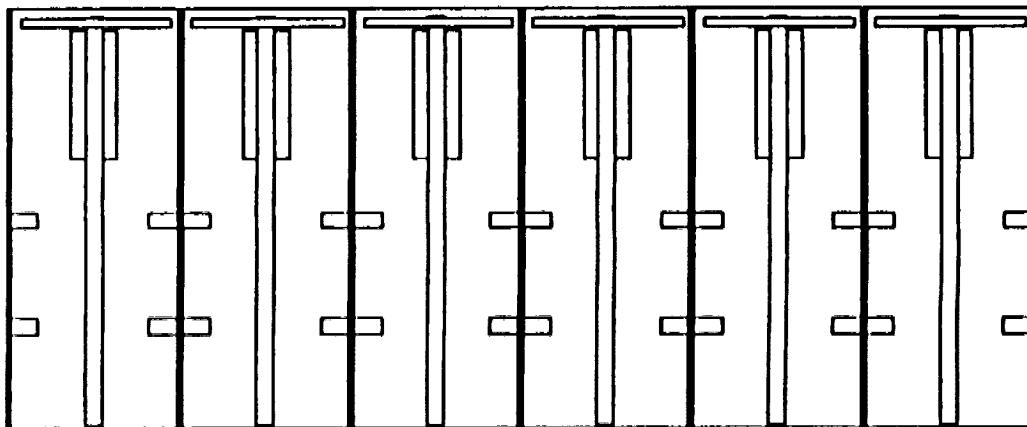


Figure 5

DNCB 360

(Back of Stack)



TRIPLE DEPTH
(All Columns)
Modified Oscillator

Figure 6